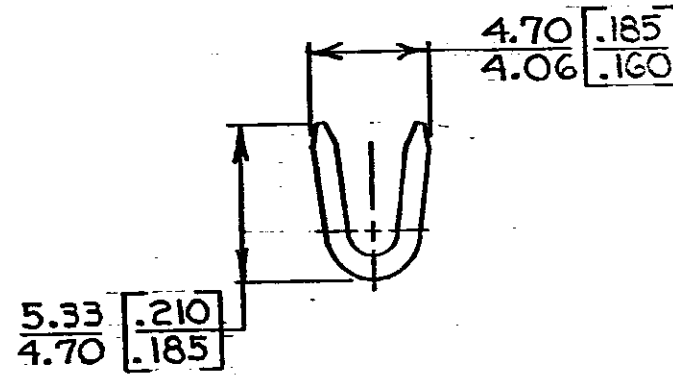
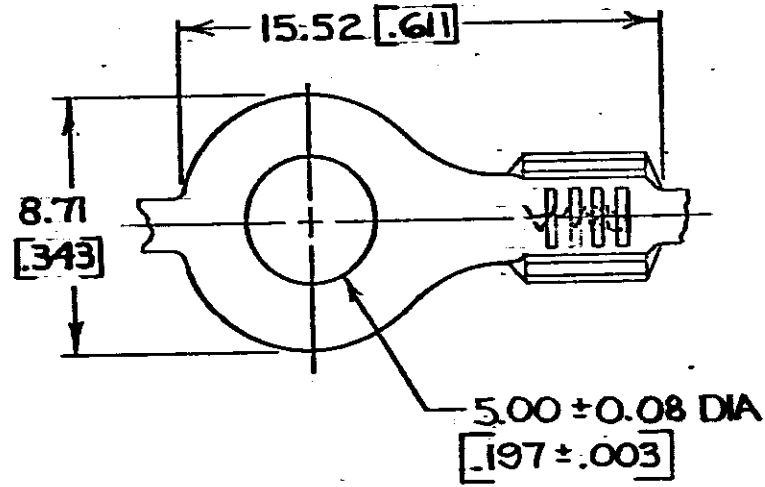


DRAWING MADE IN THIRD ANGLE PROJECTION

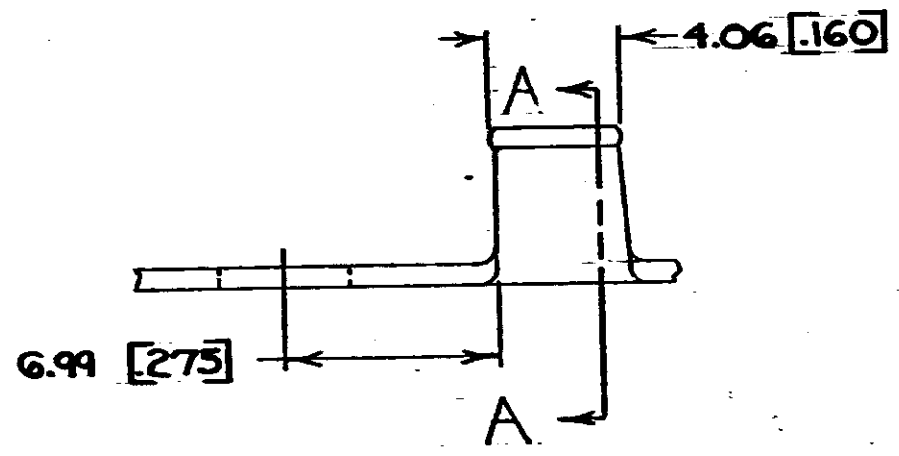
© COPYRIGHT 1965 BY AMP INCORPORATED, HARRISBURG, PA.  
 ALL INTERNATIONAL RIGHTS RESERVED. AMP INCORPORATED PRODUCTS  
 COVERED BY U. S. AND FOREIGN PATENTS AND/OR PATENTS PENDING.

1 LOC AF DIST 50

| REVISIONS |      |     |                          |         |          |
|-----------|------|-----|--------------------------|---------|----------|
| P/F       | ZONE | LTR | DESCRIPTION              | DATE    | APPROVED |
| ✓         |      | S   | REDRAWN & REVISED A-3943 | 9/20/78 | CEP      |
| ✓         |      | T   | REV PER AF-6785          | 7/2/80  | PMF 64   |



SECT A-A



|           |                                   |        |                      |         |
|-----------|-----------------------------------|--------|----------------------|---------|
| #10       | Q8-2.0 mm <sup>2</sup><br>[18-14] | TIN    | 0.76 [.030]<br>BRASS | 40977   |
| STUD SIZE | WIRE SIZE                         | FINISH | MATERIAL             | PART NO |

|   |                      |                          |                                     |            |
|---|----------------------|--------------------------|-------------------------------------|------------|
| UNLESS OTHERWISE SPECIFIED DIMENSIONS ARE IN <u>mm</u><br>TOLERANCES ON:<br>DECIMALS ±0.30[0.05]<br>ANGLES 1° | CONTRACT NO          |                          | AMP INCORPORATED<br>Harrisburg, Pa. |            |
|   | DR                   | 4-76-78                  |                                     |            |
|   | CHK                  | R. P. Frantz 7-17-78     | NAME                                |            |
|   | MATERIAL             | APPD R. P. Frantz 8-1-78 | RING                                |            |
| SEE TABLE   | APPD G. Z. L. 8-1-78 | SIZE                     | CODE IDENT NO                       | DRAWING NO |
| FINISH  | DSGN APPD            | B                        | 00779                               | 40977      |
| SEE TABLE   | OTHER APPD           | SCALE                    | SHEET                               |            |

1. CONTINUOUS STRIP, ON REELS.
2. DIMENSIONS IN BRACKETS ARE IN INCHES.

**METRIC**

CUSTOMER DRAWING